



**Adam Tas Corridor Energy**

# **What does AI optical module refer to**





## What does AI optical module refer to

---

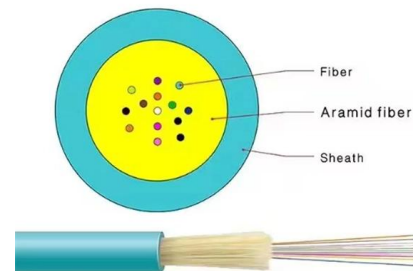


### Why do AI Data Centers Need 800G Optical Modules?

AI applications and large models have made computing power a key infrastructure for the AI industry. As the need for faster communication increases,

### Wiley Online Library , Scientific research articles, journals, books

Hier sollte eine Beschreibung angezeigt werden, diese Seite lässt dies jedoch nicht zu.



### The Ultimate Guide to Optics in AI

Explore the fascinating world of optics in AI, from the basics of optical systems to the latest innovations in machine learning and computer vision.



### The Rise of Co-Packaged Optics: A Deep Dive into CPO

A CPO optical module integrates optical and electronic components to boost data center



speed, efficiency, and bandwidth while reducing power use.



## The Role Of Optics In Artificial Intelligence

Optics is not merely an enabler but a catalyst for the evolution of artificial intelligence. From enhancing computational vision to pioneering quantum



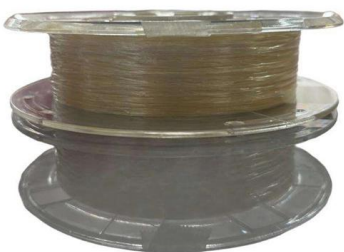
## The Evolving Landscape of AI Optical Modules 400G

Learn about the significance of AI optical modules in data center applications, such as interconnectivity between server clusters, switches, and



## Everything You Need to Know About Optical Modules

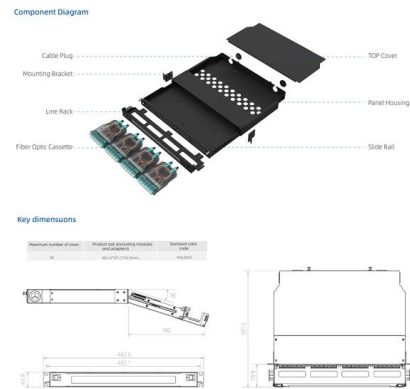
Optical modules are electronic devices used in communication systems to transmit optical signals. These modules convert electrical signals into optical





## Analyzing Optical Modules in the AI Era

AI clusters require low latency and high bandwidth, making high-speed optical modules the mainstream. Technologies such as PAM4 and silicon



## Photonic Fabric: Revolutionizing AI with advanced

Explore how Photonic Fabric is revolutionizing AI infrastructure with its advanced optical interconnect technology for faster, more efficient computing.

## Optical Modules and Networks for AI-Era Data Centers

We review recent advances in optical modules and networks for AI-era data centers (DCs), covering intra-DC optical pluggable transceivers, DC interconnections, optical cross-connect based flexible



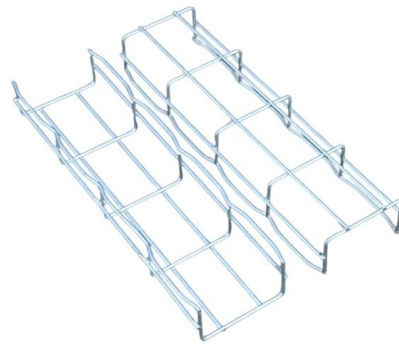
## The Evolving Landscape of AI Optical Modules 400G

Explore the development trends of AI optical modules, including higher speeds, enhanced integration, lower power consumption, and broader



## opdo

Ansys Optics incorporates AI into its multiphysics simulation suite, particularly where thermal, structural, and optical parameters interact. This helps simulate real-world



## Applications of Optical Modules in AI Intelligent Devices

In AI intelligent devices, optical modules are primarily used in data centers and high-performance computing systems to provide high-speed, high

## Crackhead/pass.txt at master · moimikey/Crackhead ·

How to create a web form cracker in under 15 minutes. - moimikey/Crackhead





## The Importance of Optical Modules in AI Technology Development

Optical modules play a crucial role in the development of AI technology. As AI applications continue to expand, the importance of optical modules will further increase.

### A role for optics in AI hardware

Therefore, optics is receiving attention again, both as a way to decrease energy requirements, and as a special-purpose hardware for



## The Evolution of Optical Modules: Powering the Future

The Relentless March of Speed The evolution of optical module speeds is a testament to human ingenuity and the relentless pace of

### What is Co-Packaged Optics (CPO) Technology? , Corning

Learn about Co-Packaged Optics technology and how it revolutionizes data center design and will scale with the growth of AI.



### Coherent Optics for AI

We explore the evolution of AI and coherent optics for scalable and sustainable optical networks and their crucial supporting role.



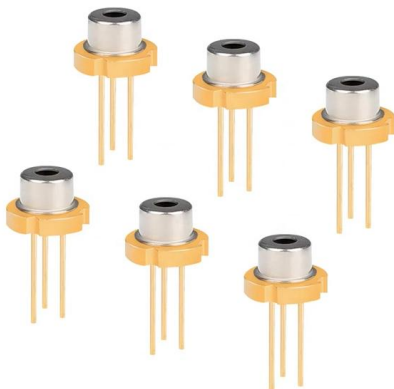
### AI Integration in Optical Technologies: Trends and

AI optics refers to the combined study and application of artificial intelligence in the domain of optical technologies. This can encompass a wide range of systems



### The relationship between optical modules, AI, and cloud computing

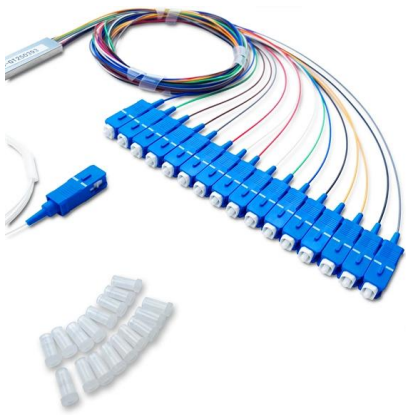
As a solution for high-speed data transmission, optical modules play a crucial role in the field of AI. Firstly, the high speed and low latency characteristics of optical modules provide AI with fast data





## XPO: Redefining Pluggable Optics for AI Networking

The Arista XPO (eXtra-dense Pluggable Optics) module is a purpose-built solution designed from the ground up to address the unique challenges of hyperscale AI data centers.



## TSEM Stock Soars After Tower Semiconductor Partners

Tower Semiconductor (TSEM) shares soared 17% in Thursday's pre-market trade before paring some of the gains after the company announced a

## Record Earnings, Collective Decline After Hours--What Exactly

In simple comparison, Lumentum's story is capacity--how much capacity unlocks determines how much revenue; Coherent's story is structure--selling the same optical modules, unit



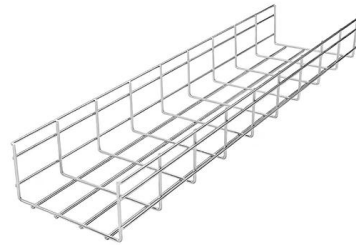
## Optical module

An optical module is a typically hot-pluggable optical transceiver used in high-bandwidth data communications applications. Optical modules typically have an electrical interface on the side that



### Level Shifter IC Explained: Why This 3.3V/5V/12V/24V Optical

Level shifter IC enables safe voltage translation between 3.3V, 5V, 12V, and 24V systems, using optical isolation to prevent damage and noise interference in industrial automation and RS485



### How AI Revolutionizes the Optical Module Industry

AI-driven demand fuels global optical module industry growth, with Chinese firms leading innovation and market share expansion.

### How AI Revolutionizes the Optical Module Industry

Powered by the dual engines of AI and cloud computing, the optical module industry is evolving from a support role into strategic infrastructure.





## Contact Us

---

For datasheets, pricing, or custom telecom energy solutions, please visit:  
<https://www.koskolong.co.za>