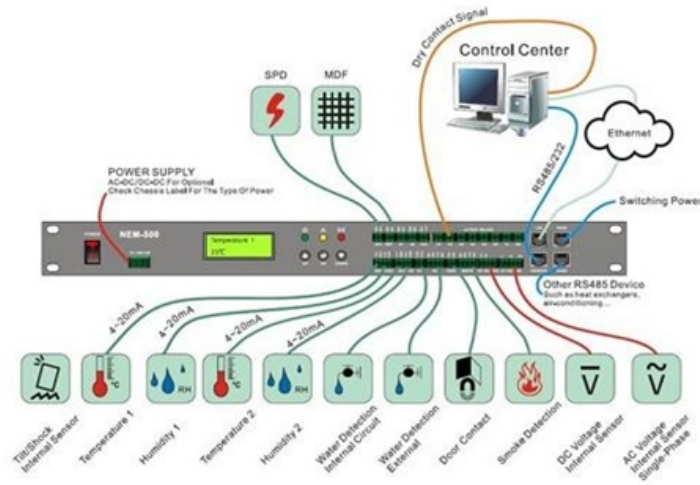




# What is the cable clamp used to secure fiber optic cables on utility poles called





## Overview

---

A tension clamp is a mechanical fixture used to anchor fiber optic cables—particularly ADSS (All-Dielectric Self-Supporting) cables and drop cables—at points of high mechanical stress, such as terminal poles, angle poles, or dead-end poles. These clamps are commonly applied to: Most anchor tension clamps include: Because. An anchor fiber tension clamp is a device used in the installation and maintenance of fiber adss cables or fiber drop cables. Unlike traditional fiber cables that depend on messenger wires for support, ADSS cables are.



## What is the cable clamp used to secure fiber optic cables on utility

---

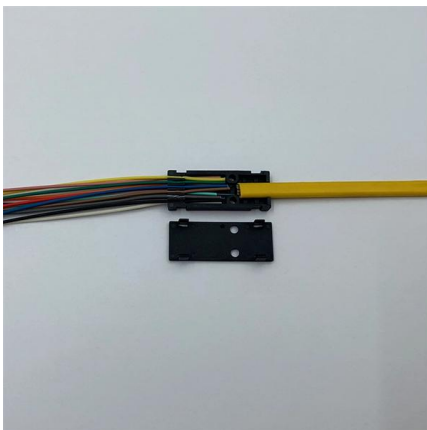


### **Holding device for a cable or an assembly for use with a cable**

In fiber optic communications networks, various types of holding devices are used to fasten a fiber optic cable or an assembly like a trunk or furcation adapter for use with a fiber optic

### **Secure Networks with a Fiber Optic Tension Clamp**

At its core, a fiber optic tension clamp, often referred to as a dead-end clamp or anchor clamp, is a piece of hardware designed to terminate and hold an



### **Anchor Clamps for Fiber Optic Installations: A Buyer's Guide for**

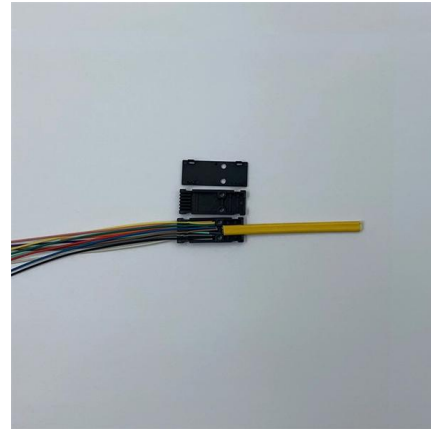
Types of Anchor Clamps for Fiber Optic Installations Anchor clamps have different types for the optical ground wires. There are two peculiar types of anchor clamps to know. Wedge-Type

### **Understanding Fiber Optic Dead End Clamps: Essential Guide for**

Choosing the Right Accessories For a successful fiber optic installation, consider complementing



your dead end clamps with accessories such as junction boxes. An optical cable

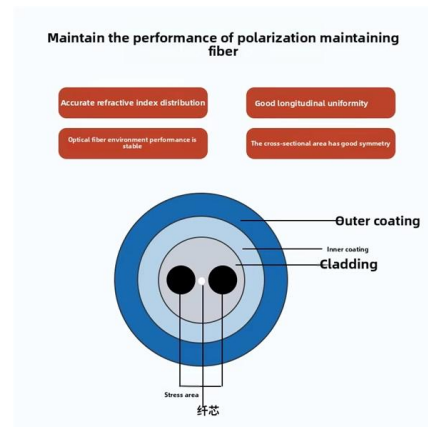


### Comprehensive Guide to Fiber Optic Cable Clamps

Wall-mount clamps should be placed level and plumb, while surface-mount clamps should be aligned with any adjacent objects or structures. Tighten

### ADSS Cable Anchor Clamps: Types & Installation Guide

An ADSS cable anchor clamp is a mechanical device engineered to secure self-supporting dielectric fiber optic cables to aerial structures (poles, towers, or facades).



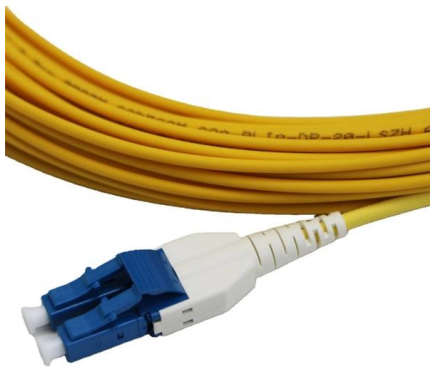
### Fiber optic cabling vibration damper

A fiber optic vibration damper is a specialized component designed to protect fiber optic cables from mechanical stress caused by continuous or intense vibrations--common in industrial, transportation,



## Fiber Optic Drop Cable Tension Clamps

A fiber optic drop cable tension clamp is essentially a device used to attach and secure fiber optic cables to poles, buildings, or other structures. Its primary



## what does fiber optic cable look like: 7 Powerful Facts 2025

Discover what does fiber optic cable look like with photos, color codes, and expert tips for easy identification and safe handling.

## Understanding Drop Cable Clamps for Fiber Optic Cables

Secure your fiber optic cables with the right drop cable clamps. Learn about types, installation, and benefits for optimal network performance.



## Fiber Optic Jobs, Employment in South Florida, FL , Indeed

Fiber Optics Technician is responsible for the installation of new cable lines, both underground and on utility poles, and also performs maintenance on existing cables, including evaluation tests and repair.



### **such/ignore.txt at main · yeerma/such · GitHub**

aasdadasda. Contribute to yeerma/such development by creating an account on GitHub.



### **pybitcoin/pybitcoin/passphrases/english\_words.py at master · stacks**

A Bitcoin python library for private + public keys, addresses, transactions, & RPC - stacks-archive/pybitcoin

### **A Complete Guide to FTTH Clamps: Ensuring Secure**

FTTH clamps are specialized devices designed to hold and secure fiber optic strands within an installation. These clamps not only protect the delicate optical cables





## **zxcvbn-rs/src/frequency\_lists.rs at master**

Port of Dropbox's zxcvbn password strength library for Rust - shsssoichiro/zxcvbn-rs

## **FasClamp Fiber Optic Cable Clamp System**

Fasclamp is a fiber optic cable clamp that is used to secure the fiber cables and prevent movement while prepping and splicing fiber cables. Designed by a by a

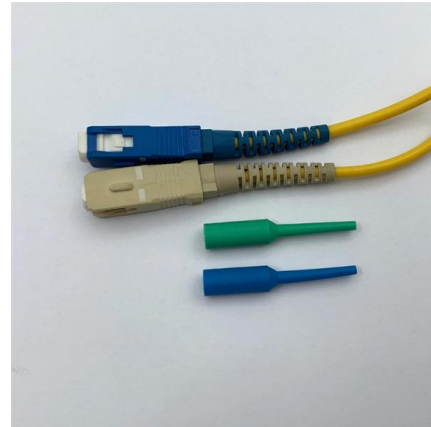


## **How to Install an Anchor Tension Clamp for Fiber Optic Cable**

An anchor tension clamp is a cable fastening accessory designed to hold and tension aerial fiber optic cables between poles or support structures. It is widely used in telecom, broadband, and utility

## **Comprehensive Guide to Fiber Optic Cable Clamps**

Fiber optic cable clamps are devices used to secure and stabilize fiber optic cables in a wide range of applications, including telecommunications, data centers, and network systems. These



### **unsupervised\_topic\_modeling/topics/en/15/50/100/topics at**

Contribute to annontopicmodel/unsupervised\_topic\_modeling development by creating an account on GitHub.

### **ITPro Today, Network Computing, IoT World Today combine**

ITPro Today, Network Computing and IoT World Today have combined with TechTarget . The page you are looking for may no longer exist.



### **Uses and advantages of Fiber Optic Cable clamps.**

As the demand for faster and more reliable data transmission continues to grow, the significance of fiber optic cable clamps cannot be overstated. These clamps play



## Tension Clamp , FIBEYE

Tension clamps are designed to provide secure and reliable support for fiber optic cables in outdoor and aerial installations. With a combination of stainless steel



## Reliable Tension Clamp Solutions for Fiber Optic Cable

A tension clamp is a mechanical fixture used to anchor fiber optic cables--particularly ADSS (All-Dielectric Self-Supporting) cables and drop

## Comprehensive Guide to Fiber Optic Cable Clamps

T-Clamps: T-clamps are used to secure fiber optic cables to a T-shaped bracket. These clamps are typically used in outdoor applications, such as



## Method Statement For Fiber Optic Cable Installation

Method Statement For Fiber Optic Cable Installation serves as a comprehensive guideline that outlines the procedures, safety measures, quality standards, and technical steps required to ensure a



## Secure Networks with a Fiber Optic Tension Clamp

A Fiber Optic Tension Clamp is a fundamental component in the construction and maintenance of aerial fiber optic networks. These devices are



## Anchor Clamps for Fiber Optic Installations: A Buyer's Guide for

Anchor clamps are diamonds in the dustbin. They are mechanical devices that help connect the cables to poles, towers, or other support structures. The cables are stable and easy to



## What is anchor cable fiber tension clamp

The fiber cable tension clamps are designed to secure and tension fiber optic cables to a support structure, such as a utility pole or a building, to prevent excessive





## Contact Us

---

For datasheets, pricing, or custom telecom energy solutions, please visit:  
<https://www.koskolong.co.za>