



**Adam Tas Corridor Energy**

# **What type of distribution box does BP use**





## What type of distribution box does BP use

### Ordering information

NO.	1	2	3	4	5	6
Model	SP200	SP240	SP280	SP320	SP360	SP380
Product name	Patch Panel	Patch Panel	Patch Panel	Patch Panel	Patch Panel	Patch Panel
Illustration						
Hz	1	2	4	1	2	4
Maximum number of cores	144	288	576	144	288	576
Product size (including module and adapters)	483.0*190.0*44.0 mm	483.0*230.0*44.0 mm	483.0*270.0*44.0 mm	483.0*190.0*44.0 mm	483.0*230.0*44.0 mm	483.0*270.0*44.0 mm
Standard color code	RAL9005	RAL9005	RAL9005	RAL9005	RAL9005	RAL9005
Inventory	4	4	4	4	4	4

## A Definitive Guide To Distribution Boxes

The distribution box acts as the center of power distribution, distributing electricity to all connected devices. A distribution box, also known as a distribution board, panel board, breaker

## Understanding Distribution Boxes:A Comprehensive Guide

A distribution boxes is an essential device that manages the safe and efficient flow of electrical power throughout different areas of a building or facility.



## The Complete Guide to Distribution Box: Installation, Types & More

Blog The Complete Guide to Distribution Box: Installation, Types & More By Admin Aug 2, 2025 No Comments # distribution box Introduction Electrical systems power our homes, offices, and

## Distribution Box Industry Comparison of Types and Uses

Compare types and uses of distribution boxes in the distribution box industry, covering



residential, commercial, and industrial applications.



## What Is an Electrical Distribution Box? A Complete Guide

Distributes power safely Distribution boxes serve a critical role in the safe distribution of electrical power across various circuits within

## Ultimate Guide To Distribution Boxes Db Boxes Types

This ultimate guide explains what a distribution box does, its internal components, common types, real-world applications, and how to select the right DB Box for



## Understanding Distribution Boxes: A Comprehensive Guide

Learn what a distribution box is, its types, and how to choose the right one for your project. Includes clear examples and expert tips.



## Distribution Board vs. Distribution Box: What's the

Understand the key differences between distribution boards and boxes--functions, applications, safety, cost, and when to use each one.

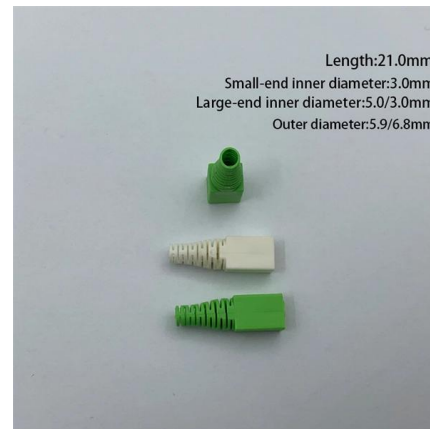


## Distribution Box Guide: Types, Components & Solutions

Understand distribution boxes (DB boxes) in 5 minutes. Learn about types, components, functions, and uses. Find the perfect DB box for your needs.

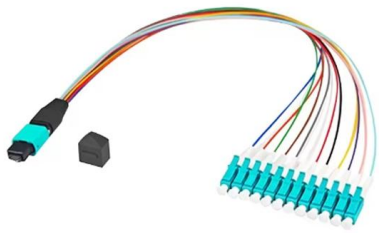
## Distribution Box Guide: Types, Components & Solutions

What is a Distribution Box? A distribution box, or DB box, is a circuit breaker enclosure. It is a vital part and central hub of any electrical system. The



## 12 types of distribution boxes and how to choose them

How to Choose the Right Distribution Box: Your Step-by-Step Guide So, you've seen the options--now what? Choosing the best distribution box isn't rocket science, but it does need a bit of thought. I'll



## What Is a Distribution Box?

If you're going to buy a distribution box, there are several things you should look for. You should choose a distribution box that's made of a durable



## How Does a Power Distribution Box Work

Learn how a power distribution box works step by step--from incoming power to circuit protection and smart monitoring--for safe, efficient electricity delivery.

## Distribution Box: Types and Functions , Axis-Electricals

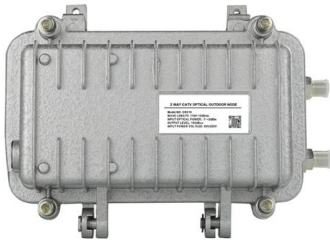
A distribution box ensures that electrical supply is distributed in the building, also known as a distribution board, panel board, breaker panel, or electric panel.





## The Ultimate Guide to Distribution Box Types

Discover the key types of distribution boxes with NUOMAK's comprehensive guide. Learn about Main Distribution Boards (MDB), Consumer Units, Transfer



### Comprehensive Understanding of Distribution Box

Using a distribution box that meets safety rules gives peace of mind. Always pick one with proper certifications for your area. Energy efficiency and control In 2025, saving energy is very important.

A



### Understanding Distribution Boxes: Your Guide to Power

Every single type of these power distribution boxes serve to regulate electricity management systems safeguarding the structure against unauthorized

### Distribution Boxes Types - The Complete Guide

The best device for distributing solar power is a panel box for fuse bank. Before being dispersed throughout the house, the power is stored on the solar panels and goes straight to the fuse



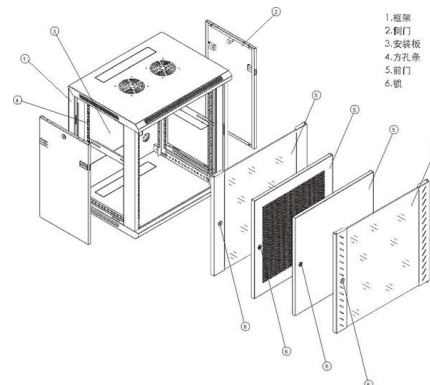
## What is a Distribution Box? - A Comprehensive Guide

A distribution box organizes and controls power flow, ensuring safety and efficiency in electrical systems.



## Distribution Boxes: Types and Functions

Learn what an electrical distribution box (DB/distribution board) is, its main components (MCB/RCCB/RCBO, SPD, busbar) and common types.



## Distribution Boxes Explained: Types, Functions, and

Learn about distribution boxes, their types, functions, and safety features to ensure efficient and secure electrical power distribution in any building.





## Distribution Boxes Types - The Complete Guide

The power distribution boxes deliver electricity from the main electrical main to other circuits. Several distribution boxes are designed for specific use in

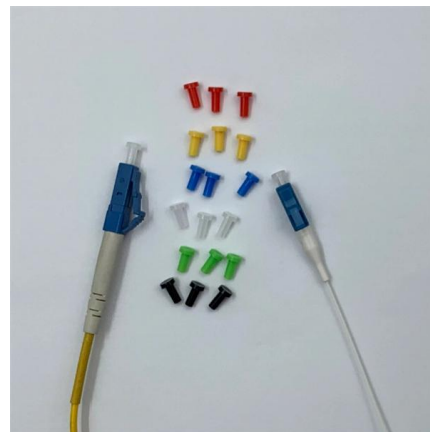


## Explore Power Distribution Box Types and Functions

According to different usage scenarios and requirements, there are several types of distribution boxes: 1. Main Circuit Breaker Panel. The main and

## Understanding Distribution Boxes: Your Guide to Power

What are the different types of distribution boxes? The table below provides a comprehensive overview of various distribution box types and



## 12 types of distribution boxes and how to choose them

In this guide, we'll break down the 12 main types of distribution boxes in a way that's easy to understand. We'll chat about what each one does, where it shines, and then dive into how to choose the perfect



## Power Distribution Boxes Explained Simply

Discover the essentials of a Power Distribution Box--how it works, key types, benefits, and tips to ensure safe, efficient electrical power management.



## Distribution Boxes: Types and Functions

Use the table below to quickly identify which distribution box type best matches your application: This type of distribution box is typically used

### What does a distribution box do?

3. Choose the right type: Choose the type of distribution box according to actual needs. For example, low-voltage distribution boxes are





## Customers & products , Who we are , Home

In customers & products (C& P), our strategy is to drive value safely and efficiently as we serve our customers' evolving mobility needs. We're a set of global and

## Contact Us

---

For datasheets, pricing, or custom telecom energy solutions, please visit:  
<https://www.koskolong.co.za>