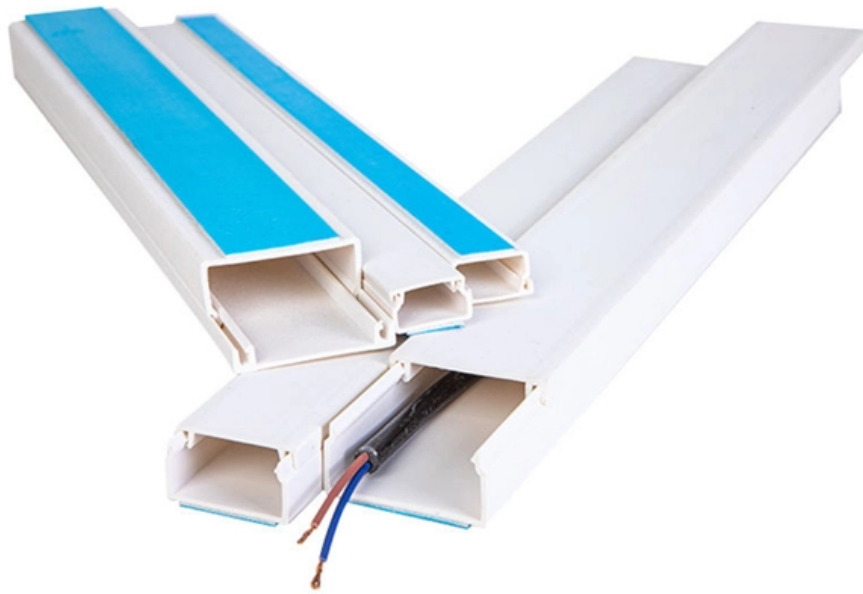




**Adam Tas Corridor Energy**

# **Wiring of Asia Power Distribution Box**





## Wiring of Asia Power Distribution Box

---



### How to determine the size, installation method and

(1) Wiring method of distribution box 1)  
Generally, the incoming line of power distribution box adopts five wire system, that is, a, B and C three-way phase line

### Distribution db box wiring diagram

A distribution board DB is where the electrical supply is distributed from within the building home. The main supply cable comes into the board and is then d



### JXF Power Distribution Box (Cabinet) User Manual

Open-mounted distribution box installation method: Assemble four bolts into the four holes on the corners and tighten them into the expansion pipes to fix the box.

### Asian Electrical Industries , Electrical Control Panels & Power

Asian Electrical Industries - 50+ years of expertise in manufacturing high-quality electrical



control panels, LT/HT distribution boards, AC/DC boxes, and customized power systems for industries and



### How to Wire a Home Distribution Box

How to Wire a Home Distribution Box - Step-by-Step , Distribution DB box wiring diagram  
Welcome to our channel! In this video, we'll walk you through the

### Power Distribution Block Wiring Diagram

Understanding Power Distribution Block Wiring Diagrams: Key Considerations and Tips Power distribution blocks are critical components in the electrical power industry, playing a vital role



### How to Choose a House Distribution Box , CHINT global

A well-chosen distribution box ensures the safety and efficiency of your household electrical system. This article guides you through selecting a

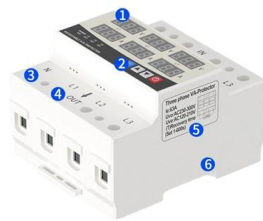


## Resource Center Download Catalogs, Manuals & More

Explore IndoAsian's Resource Center for downloadable catalogs, manuals, brochures, and technical resources to assist with product selection and installation.



GAIN AN IN - DEPTH UNDERSTANDING OF



- ① LED DISPLAY PANEL
- ② PROTECTOR OPERATION BUTTONS
- ③ NEUTRAL WIRE OUTPUT TERMINAL
- ④ LIVE WIRE OUTPUT TERMINAL
- ⑤ WORKING CURRENT AND VOLTAGE INSTRUCTIONS
- ⑥ FLAME - RETARDANT SHELL

## How to Wire a Home Distribution Box

The above mentioned electrical wiring accessories and protective devices are used to control and distribute electric supply (safely to connected

## Understanding Distribution Boxes: A Comprehensive Guide

A distribution box, also known as a power distribution box or electrical distribution box, is used to distribute electrical power safely to multiple



## Power Distribution Box

Electricity is the fundamental element and source to the lights. Stable and reliable distribution of power plays an important role in a successful lighting performance.



## Electrical Power Distribution Box: A General Installation

A Electrical Power Distribution Box is a critical hub in any electrical installation, organizing and protecting power for multiple circuits. This article



## Understanding Power Distribution Boxes: Types, Features, and

This guide delves into the intricacies of power distribution boxes, shedding light on their design, functionality, and regulatory standards. Readers can expect to gain a comprehensive

## Wiring design of distribution box

However, in this process, there are many equipment that can meet our electricity demand, including distribution box. In the use of distribution box circuit design, we





## How to Install a Distribution Box in Singapore?

Guide to distribution box installation in Singapore, covering planning, wiring, circuit setup and safety. Ensure proper setup or consult a licensed electrician.

## Understanding Distribution Boxes: Your Guide to Power

The distribution box typically contains circuit breakers or fuses to protect the electrical wiring and manage power flow. Q: Can a distribution box be



## PDU Wiring Guide for AsiaRep Equipment

This document is a manual for power distribution units used in heavy equipment. It provides illustrations and descriptions of PDU systems for Komatsu trucks,

## How to Install a Cable Distribution Box Safely and

In modern electrical systems, cable distribution boxes (also known as electrical distribution boxes or distribution boxes) play a crucial role as the key



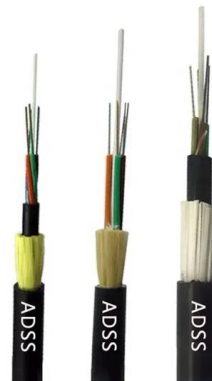
## Understanding Power Distribution Boxes: Types, Features, and

Readers can expect to gain a comprehensive understanding of the various types of power distribution boxes used in China, including their applications in residential, commercial, and



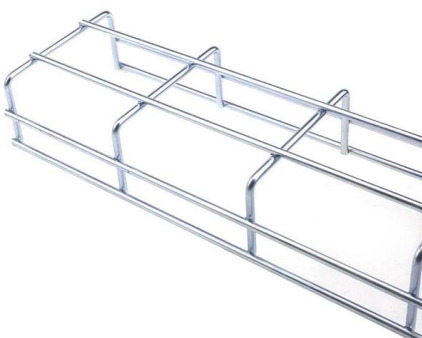
## How to determine the size, installation method and

1) The distribution system shall be equipped with indoor main distribution box and outdoor distribution box, or each distribution box of outdoor main distribution box



## Power Distribution Boxes Explained Simply

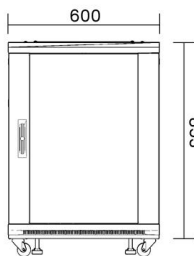
Learn what a power distribution box is, how it works, key components, types, and why it's vital for safe and efficient electrical systems.





## Distribution Box Wiring Principles

?Functionality?: The wiring diagram should clearly reflect the functional requirements of the Distribution box, including the correct connection of power



## A Step-by-Step Guide to Wiring an Electrical Panel Box

Find out how to properly wire an electrical panel box with a comprehensive diagram and step-by-step instructions.

## How to Install a Distribution Box--A Comprehensive

Distribution boxes are used for power distribution, circuit protection and cable management, while junction boxes are only used for wire connection



## Power Distribution Box

The Power Distribution Box wiring must be carried out following the instructions in this instruction manual. Incorrect wiring may result in electric shock and/or fire.



## Contact Us

---

For datasheets, pricing, or custom telecom energy solutions, please visit:  
<https://www.koskolong.co.za>