



Adam Tas Corridor Energy

Zhuji cable tray bend





Zhuji cable tray bend

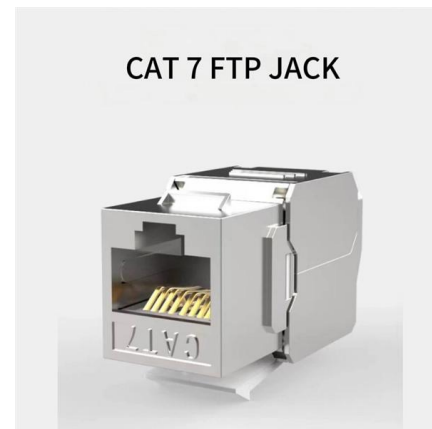


Types of Bends in Wire Mesh Cable Trays: A Detailed

Wire mesh cable trays are widely used in industrial and commercial installations to support and manage cables effectively. One of their greatest

Cable Tray Technical Guide A practical guide to product selection and

Cable Tray Technical Guide A practical guide to product selection and installation This guide for engineers and installers has been developed by ABB as a practical reference regarding cable tray



Sidhivinayak Enterprises

Designed for flexibility and efficient routing, it maintains proper cable alignment and support. Ideal for complex installations, it ensures organized cable management

How To Bend Cable Tray

Discover the best techniques and tools to bend cable tray easily and efficiently. Learn step-by-step instructions and tips from industry experts.



WireMesh Tray Horizontal Bend

Belden provides the information and specifications herein on an "ASIS" basis, with no representations or warranties, whether express, statutory or implied. In no event will Belden be liable for any damages



Bend Cable Trays, Cable Trays, Cable Tray Bend,

Bend Cable Trays Vertical Inner Bend Cable Tray
We offer our clients a wide variety of high quality
Vertical Inner Bend Cable Tray that is
manufactured from the



Mesh cable tray bends , OBO

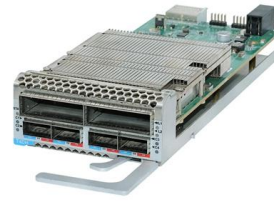
Mesh cable trays, screw connection fittings -
Mesh cable tray bends.





Cable Tray

Shop for Cable Tray - Bends at Platt HellermannTytonGÇÖs low voltage raceway (TSR) is a one piece, non-metallic, adhesive backed, latching raceway designed to aesthetically organize and route



Cable Tray Bends

Heavy Duty 90 Degree Flat Bend 150mm £ 34.96 ex. VAT - £ 41.95 inc. VAT Heavy Duty 90 Degree Flat Bend 150mm Galvanised £ 37.21 ex. VAT - £ 44.65 inc. VAT

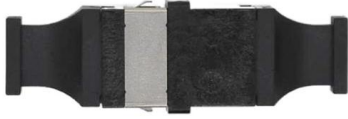
Cable Tray Design and Components Guide

This document provides information about cable trays and accessories, including straight cable trays, perforated trays, returned edge and flange types, and bent



Cable Tray Bend Calculator

Engineering Notes IEC 61537 / NEC 392 Standards Tray bend radius must be \geq minimum cable bend radius. Use the largest cable diameter in the tray for calculation. Always select the next higher



Trunking Cutting Techniques Guide , PDF

The document provides instructions for forming various bends and joints in electrical trunking and cable trays. It describes: 1) How to mark and cut a right-angle



How to make a bend on an open cable tray

This video shows you how easy it is to form and bend an open cable tray from SILTEC - suitable for cables and pipes. See how easy it is to cut the threads aw

Cable Tray

Cable Tray Fitting, 90° Junction Kit. Material: Carbon Steel. Finish: Electroplated Zinc. Includes: (1) Hardware for (1) Tee (2) 90° Bends.





Metalix Cable Trays

Crafted from premium materials such as galvanized steel, aluminum, and stainless steel, our bends are designed to withstand heavy loads, resist corrosion, and

2000mm Length Trunking Cable Tray Bending Machine

First of all, in terms of quality, the bent cable tray is much stronger than the formed cable tray, including the shape. The second point: With the continuous increase



CABLE TRAY SYSTEMS GUIDE

The Ladder Tray features light, rugged, tubular steel construction. It is designed for mechanical support and strain relief in long runs of cable and creates a smooth gradual bend for cable. Rail and stringer

Bend cable tray

Types of Bend Cable Trays A bend cable tray is a crucial component in electrical infrastructure systems, designed to route and support cables around corners, curves, and directional changes. These trays



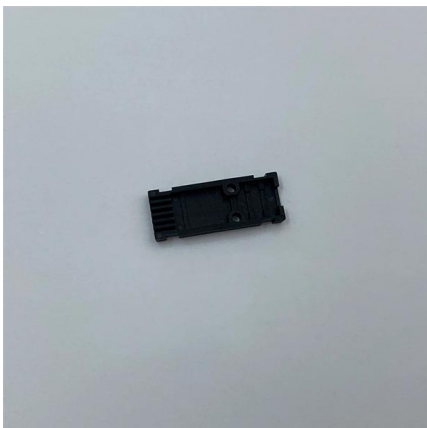
90° Cable Tray Bends: Medium Duty Pre-Galvanised

Cable Tray Bends Getting cables from point A to point B isn't always a straight shot--that's where Cable Tray Bends come in. Whether you're working around



Cable Tray, Cable Trunking, Cable Ladder, Perforated

Our high quality products include cable trunking, cable ladder, perforated cable tray, wire mesh cable tray, the matching accessories and switchgear cabinet, etc.



Bending Cable Tray

Students trading aid on how best to put an internal 90 degrees bend in steel cable tray. Includes a full demonstration on how bend steel cable tray using a c



Cable Tray & Trunking 90 Degree Bend Cutting Measurements A to Z? Cable

Cable Tray & Trunking 90 Degree Bend Cutting Measurements A to Z? Cable Tray 90 Degree Bend Formula In this video you can learn how to take correct measureme



Make a (45-45) 90 Gusset Bend in Electrical Cable Tray In One Piece

How to make a 90 electrical cable tray bend to measurement with a gusset of your choice using one piece of tray. Great if you are new or just forgot how to do it, this easy to follow guide makes

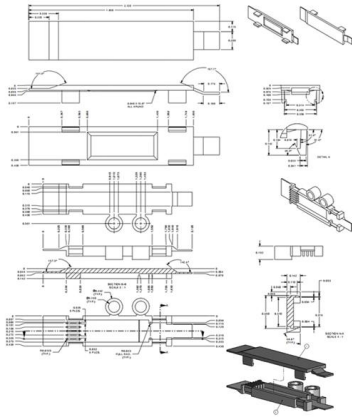
Cable Tray Bend Formulas Guide

Cable Tray Ladder SLU Type NOBI Series - Free download as PDF File (.pdf), Text File (.txt) or read online for free. Standard Nobi Cable Tray Ladder U-Type Profile



Cable Tray Bend

Cable Tray Bend Surface Finish Aluminium and stainless steel products are manufactured against firm orders only. They are non returnable and minimum



Contact Us

For datasheets, pricing, or custom telecom energy solutions, please visit:
<https://www.koskolong.co.za>